

7130

Electric Strike for MS® 1850 replacement - Aluminium Doors



The Adams Rite 7100 Series is for remote use access control of any door equipped with Adams Rite 4700 series (or similar) deadlatch. The 7130 series have a large faceplate to cover the strike opening when converting from an MSr pivoted - bolt deadlock to a deadlatch.



Key Benefits

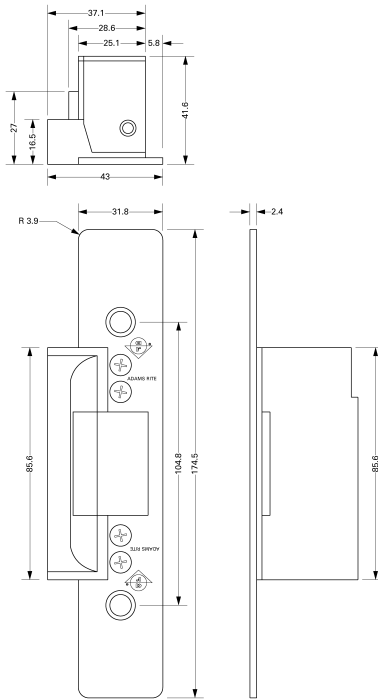
- Suitable for use on aluminium doors
- Jaw Strength 907kg (2,000 lbs)
- Facility to change duty from fail-safe to fail secure and vice versa
- Non-handed
- Electrical actuation unlocks the strike jaw, releasing the latchbolt so the door can be opened without operating the latch itself
- Designed for mounting in the frame of a single action single leaf doors

Related Hardware

RiteKey Keypad ~ Push-to-Exit Button ~ Power Supply Unit ~
4710 Deadlatch ~ 4750 Deadlatch

Note: For out of hours security specify the Sentinel 6 Deadlock in conjunction with the electric strike/latch combination.

Dimensions



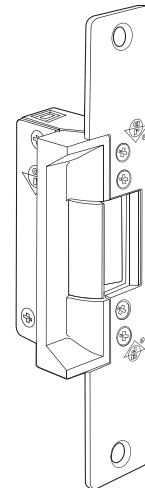
Specifications

Current Draw:	12vAC=1.48A, 12vDC=0.332A 24vAC=0.74A, 24vDC=0.19A (nominal). DC intermittent and continuous units are silent, AC intermittent units "buzz" on operation.
Voltage Tolerance:	±10%.
Powered By:	Internal solenoid.
Monitoring:	(Optional) Single: Latch only, Double: Latch & solenoid.
Duty:	Fail-safe or fail-secure (convertible without additional parts). DC power supply required for fail-safe operation.
Jaw Strength:	907kg (2000lbs).
Case:	85.6mm x 28.6mm x 41.6mm. Zinc aluminium alloy.
Mechanism:	Stainless steel internal blocking mechanism.
Strike Opening:	36.5mm x 15.9mm x 12.7mm. Stainless steel bolt retainer jaw.
Door Gap:	Minimum 3mm (1/8"), operational door gap 3-5mm.
Faceplate:	Aluminium. 174.5mm x 31.8mm. Flat.
Finishes:	See ordering codes.
Subcover:	Basic subcover lip will suit a 44.45mm (1 3/4") thick door that closes flush with jamb edge. For extended bolt-on subcovers see ordering codes (7130 only).
Standards:	ANSI/BHMA 156.5 Grade 1. UL Listed for burglary resistance.

Ordering Codes Matrix

7130 - 3 1 0 - 628 - 1

Model Number	7130 Flat	7131 Radius
Voltage	3 12 volt	5 24 volt
Current and Duty	1 DC Continuous or intermittent	4 AC Intermittent (fail-secure only)
Features	0 Standard/Fail-Secure	5 Standard/Fail-Safe
	7 Monitored/Fail-Safe	9 Monitored/Fail-Secure
Finish	628 Satin Aluminium	
Options	1 Single Monitoring (Latch only)	2 Double Monitoring (Latch and Solenoid)



Subcover Extension Codes (order separately)

Order Code	Dimension*	Order Code	Dimension*
91-0171-01	38.1mm (1.50")	91-0171-08	60.5mm (2.38")
91-0171-02	41.4mm (1.63")	91-0171-09	63.5mm (2.50")
91-0171-03	44.5mm (1.75")	91-0171-10	66.8mm (2.63")
91-0171-04	47.8mm (1.88")	91-0171-11	69.9mm (2.75")
91-0171-05	50.8mm (2.00")	91-0171-12	73.2mm (2.88")
91-0171-06	54.1mm (2.13")	91-0171-13	76.2mm (3.00")
91-0171-07	57.2mm (2.25")		

*Dimension from door centreline to jamb edge.